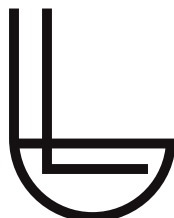
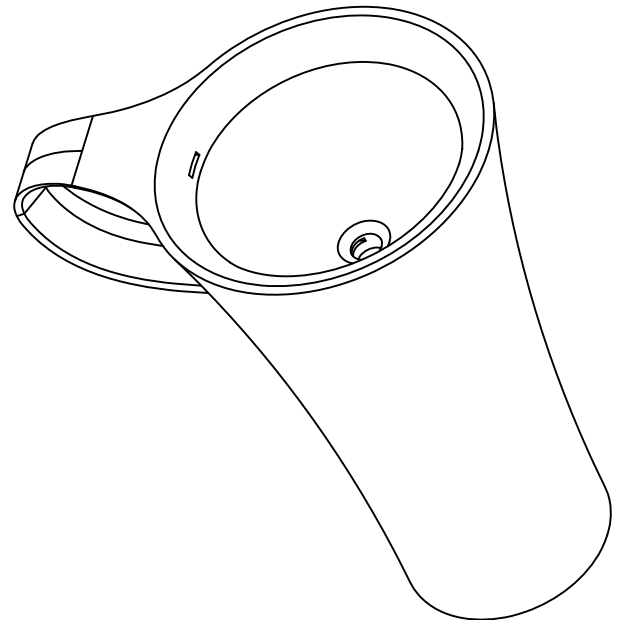
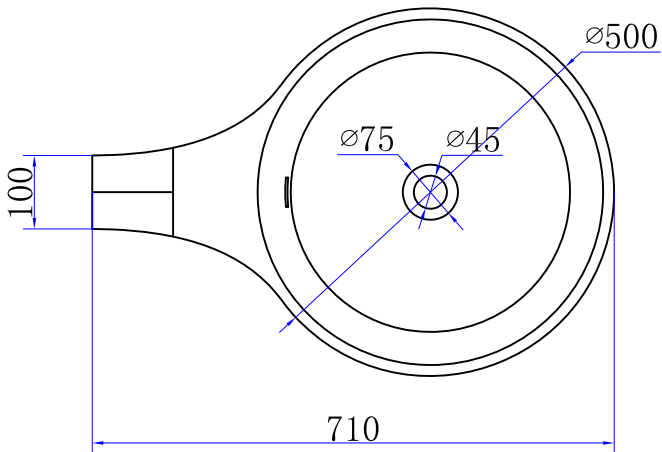
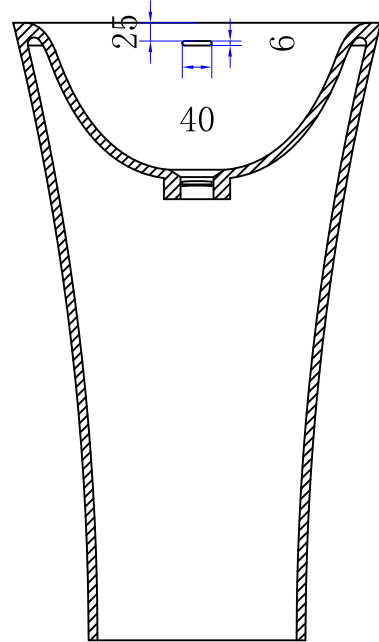
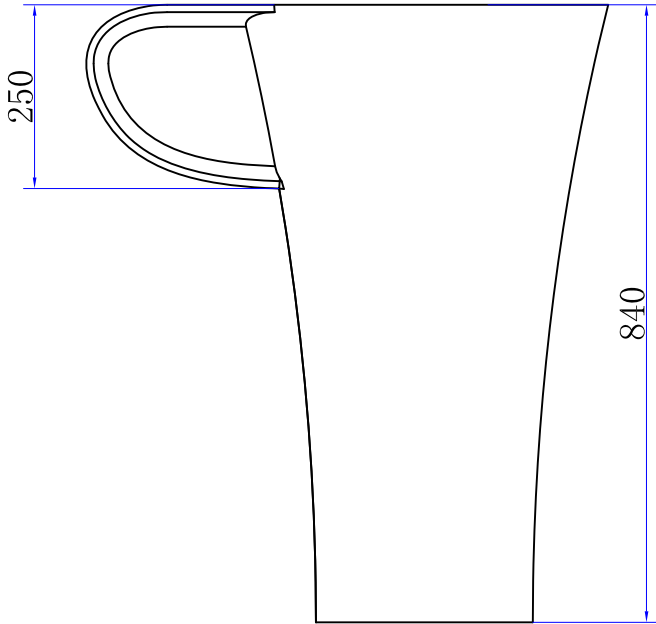


# BL-CUP

720X500X840MM



**BESTLINE**  
enjoy your life